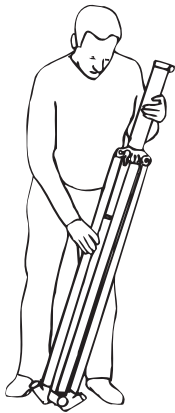
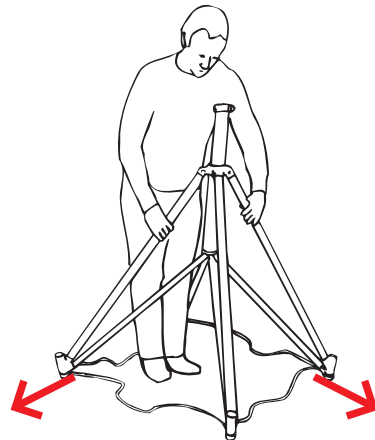


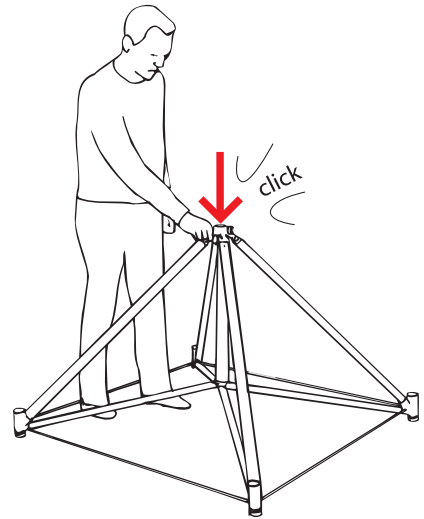
# Expand FlagStand XL Set-up Instruction (weighted plates)



1. Open the carry bag and remove the base



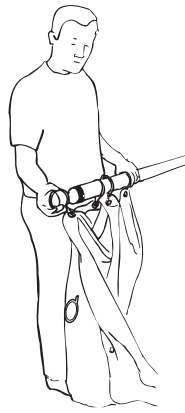
2. Open the base



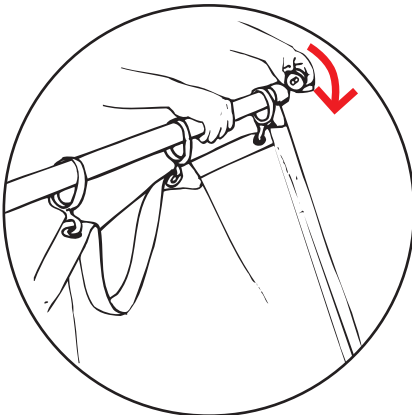
3. Press down on the middle to lock the base, listen for the "click"



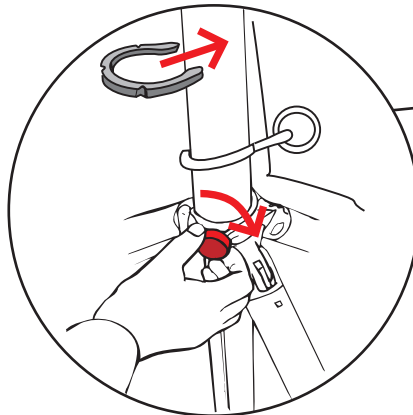
4. Install the four weighted plates (one on each corner) and listen for the "click"



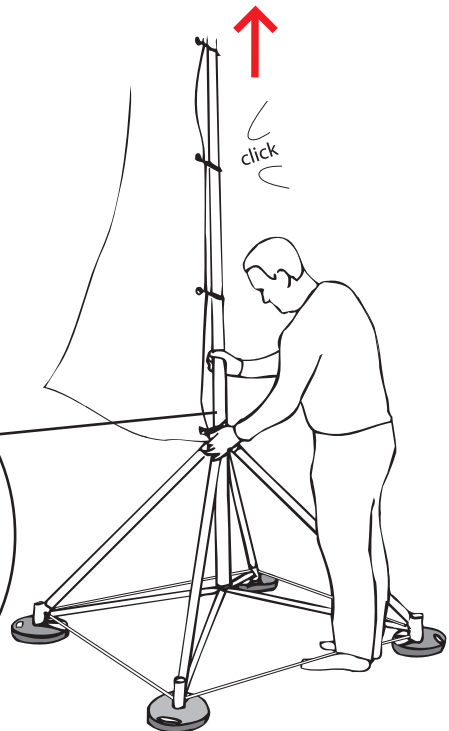
5. Mounting the graphic rings to the graphic and slide the rings onto the telescopic pole



6. Slide the top pole into the pole pocket at the top of the graphic and attach it to the telescopic pole with the screw on cap



7. Insert the telescopic pole into the base and tighten the retaining knob. Add the black retaining clip above the bottom graphic ring



8. Extend each telescopic section until it "clicks" into the locking position and the stand is at the desired height