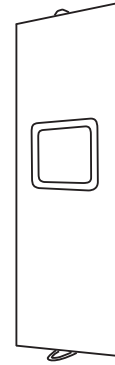
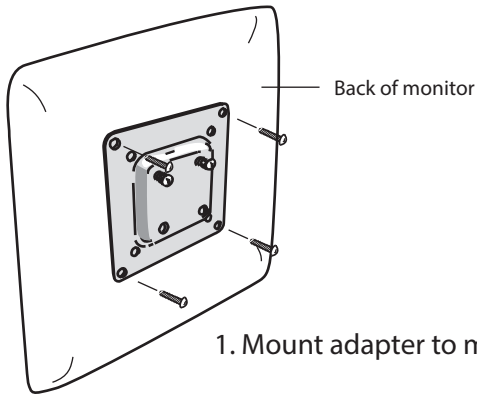


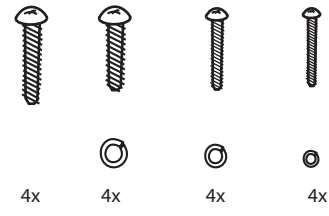
Expand LinkWall - monitor holder



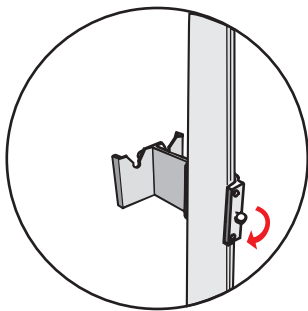
Monitor maximum weight: 4kg



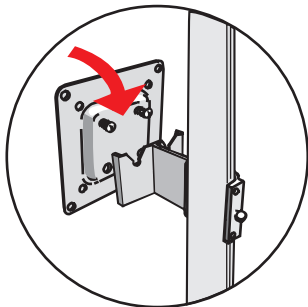
1. Mount adapter to monitor



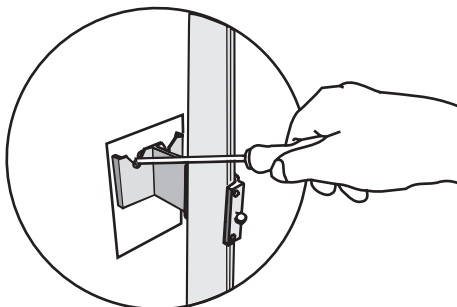
VESA standards: 75-200mm



2. Fix adapter hook to pole



3. Hook on monitor



4. Secure screws from behind

