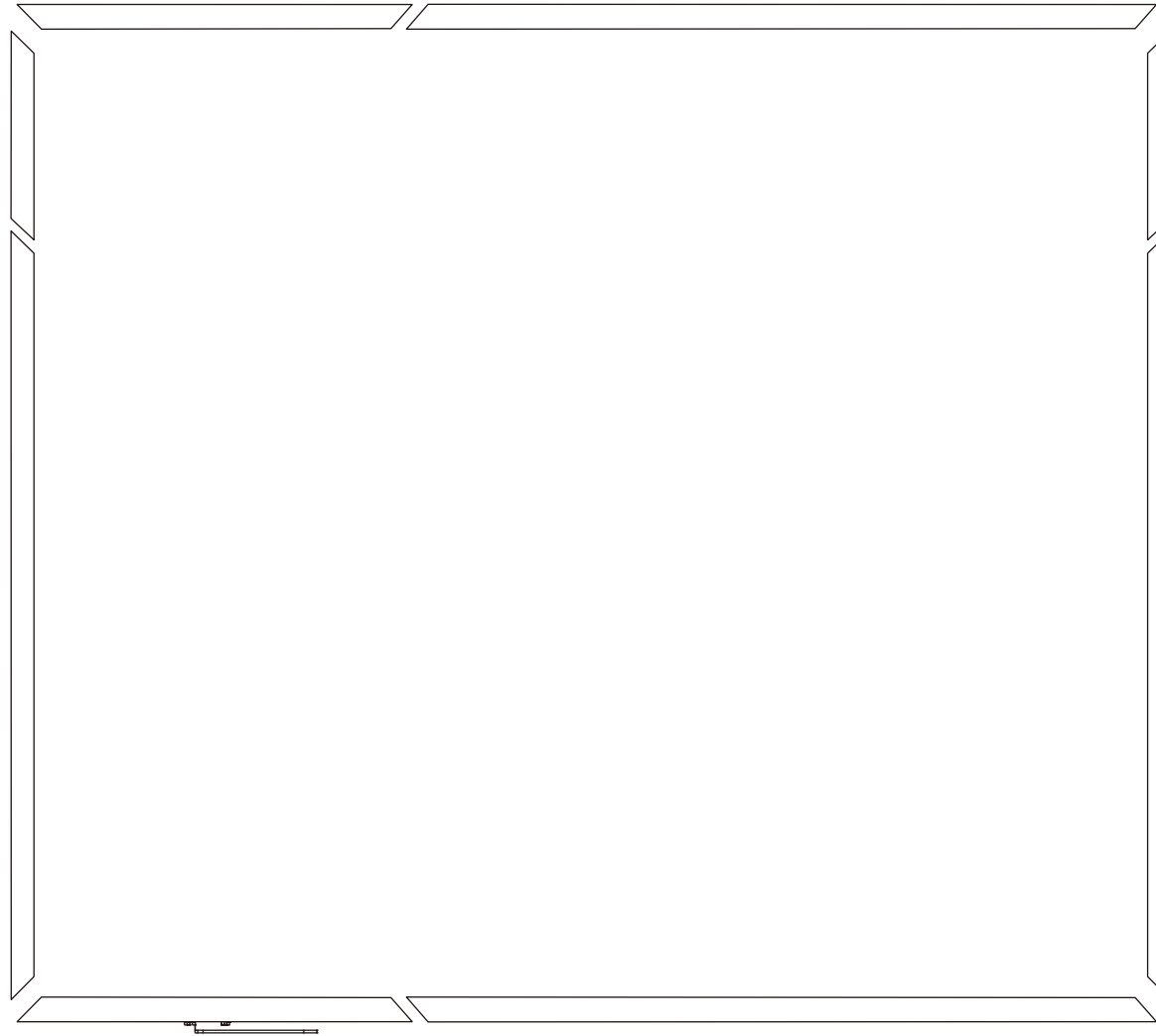
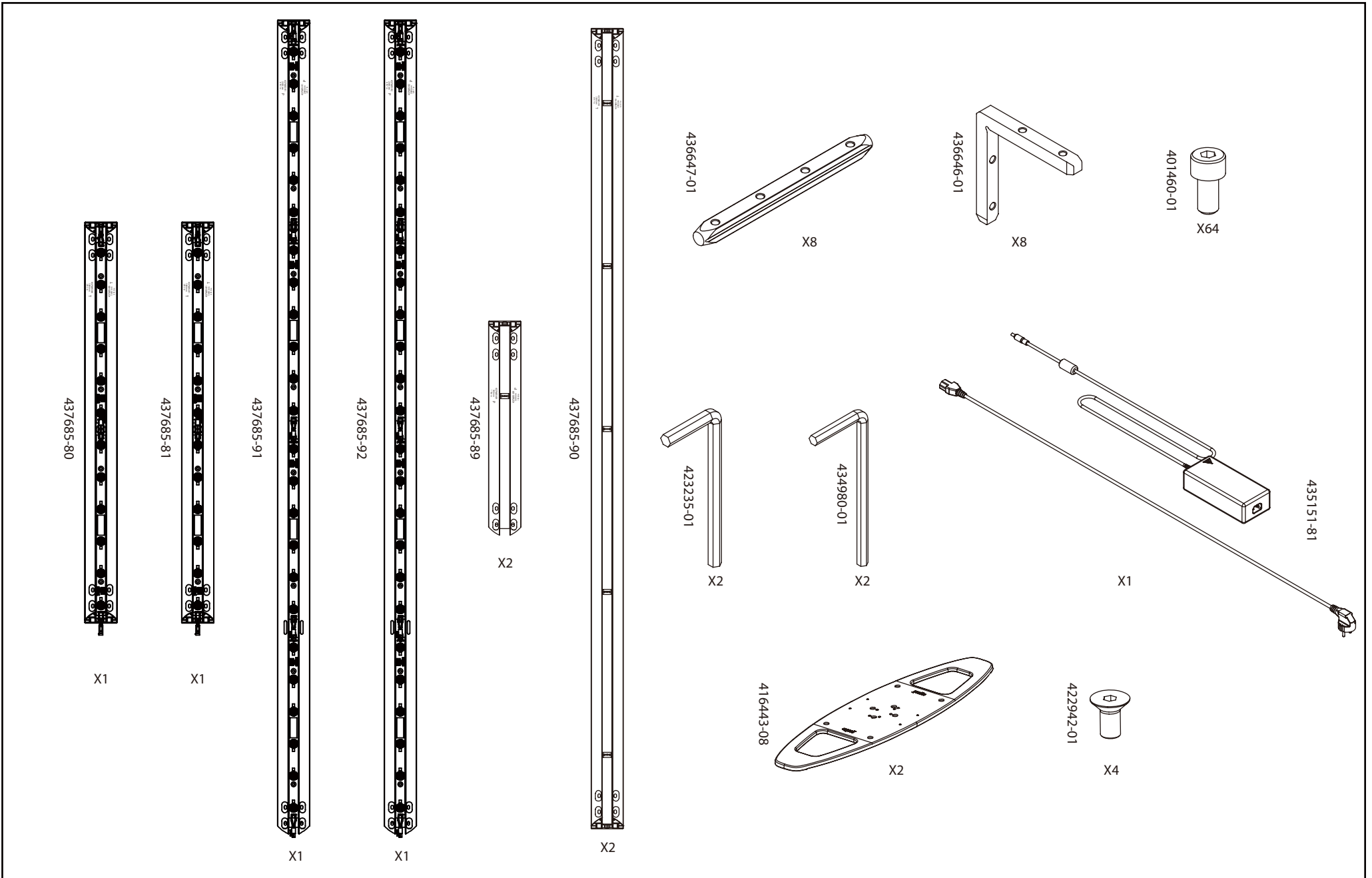


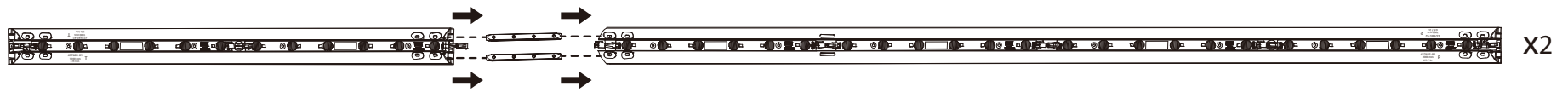
Expand LightBox Stationary Set-up Instruction

3000x2500mm

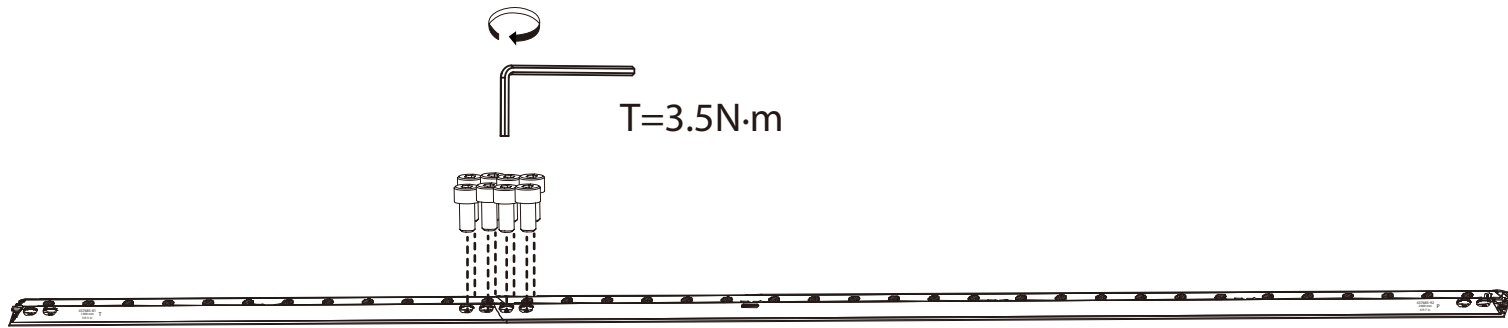
9 ft 10 in x 8 ft 2 in





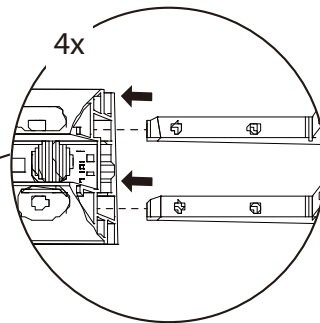


X2

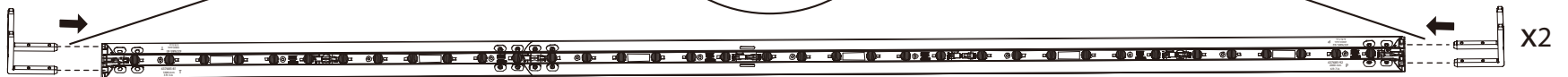


X2

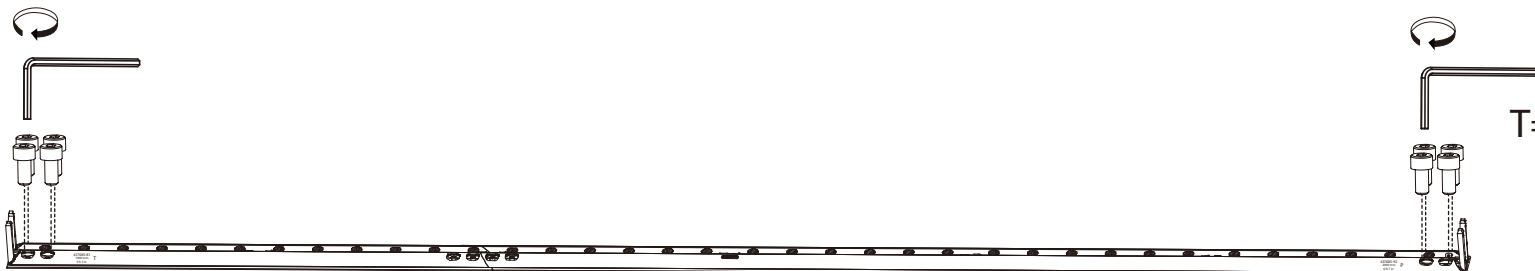
step 1



4x



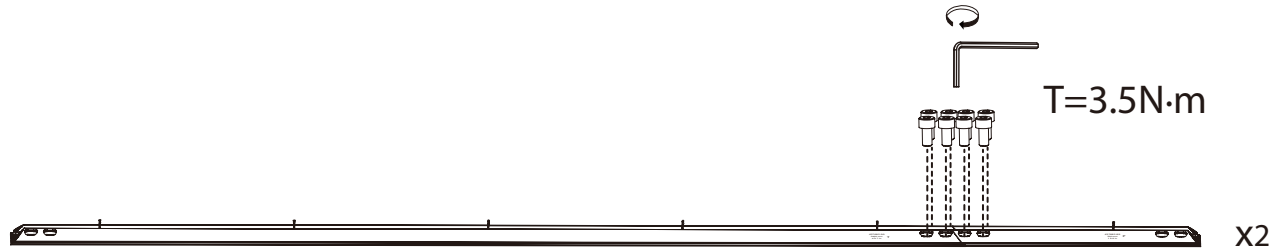
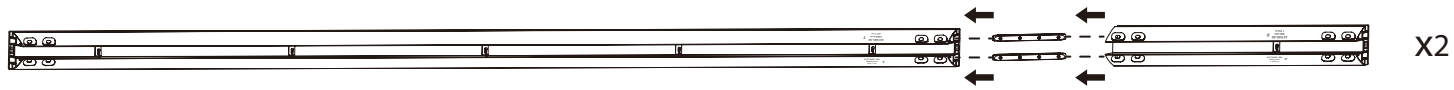
X2



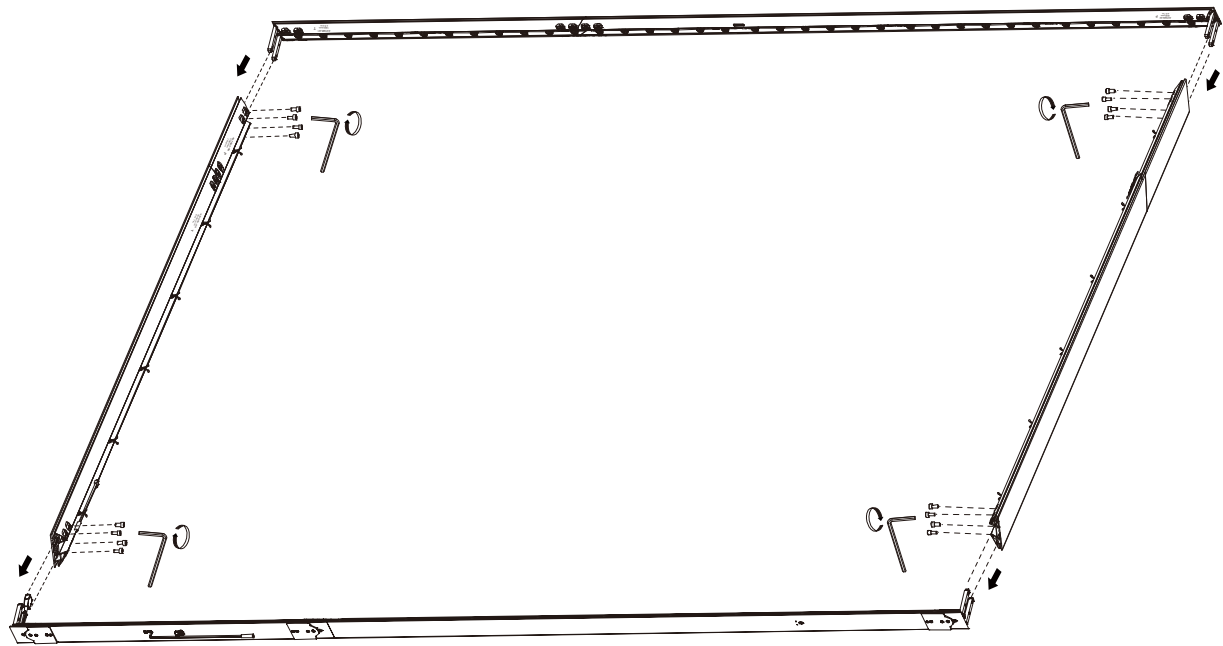
T=3.5N·m

X2

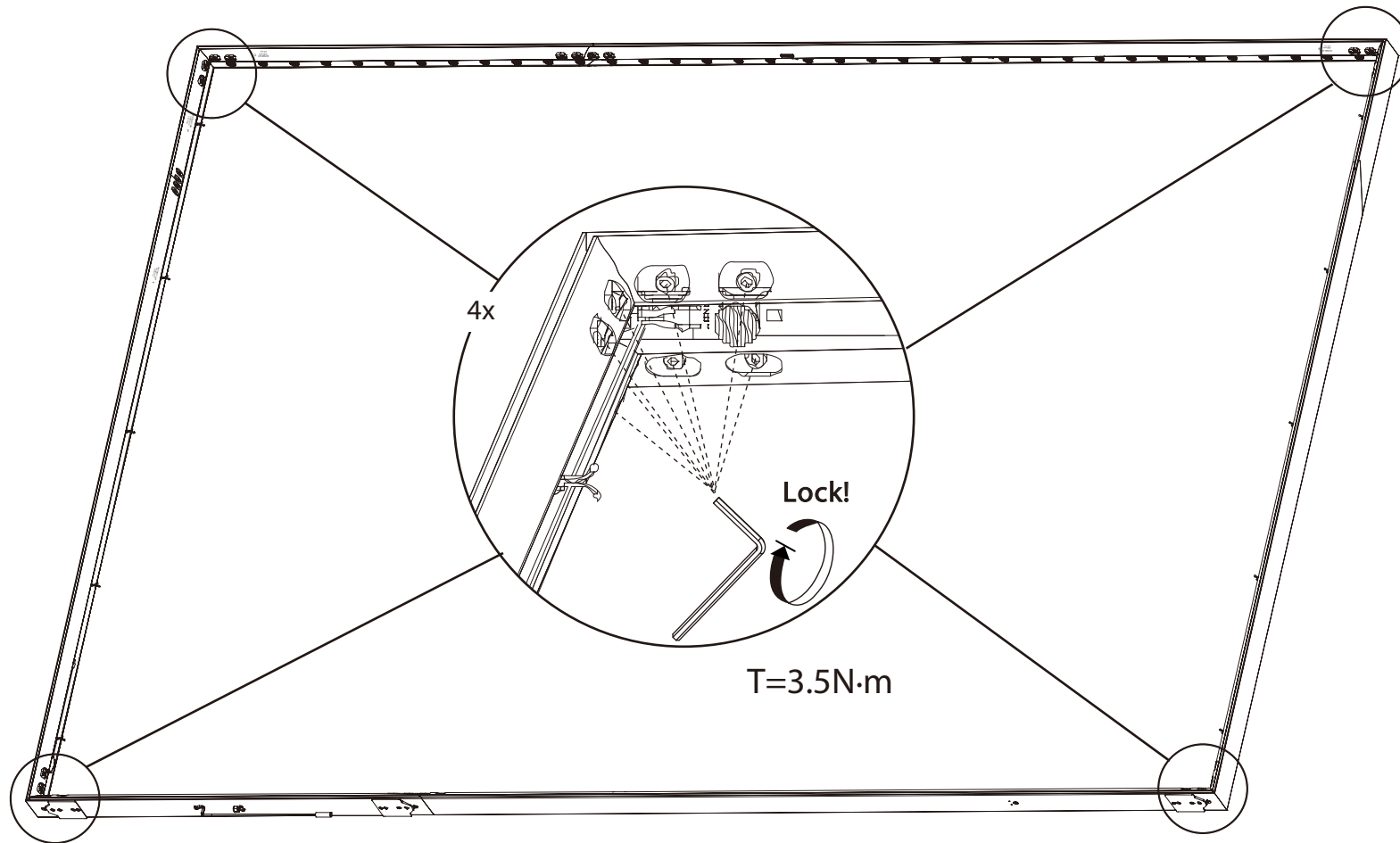
step 2



step 3



step 4



step 5

