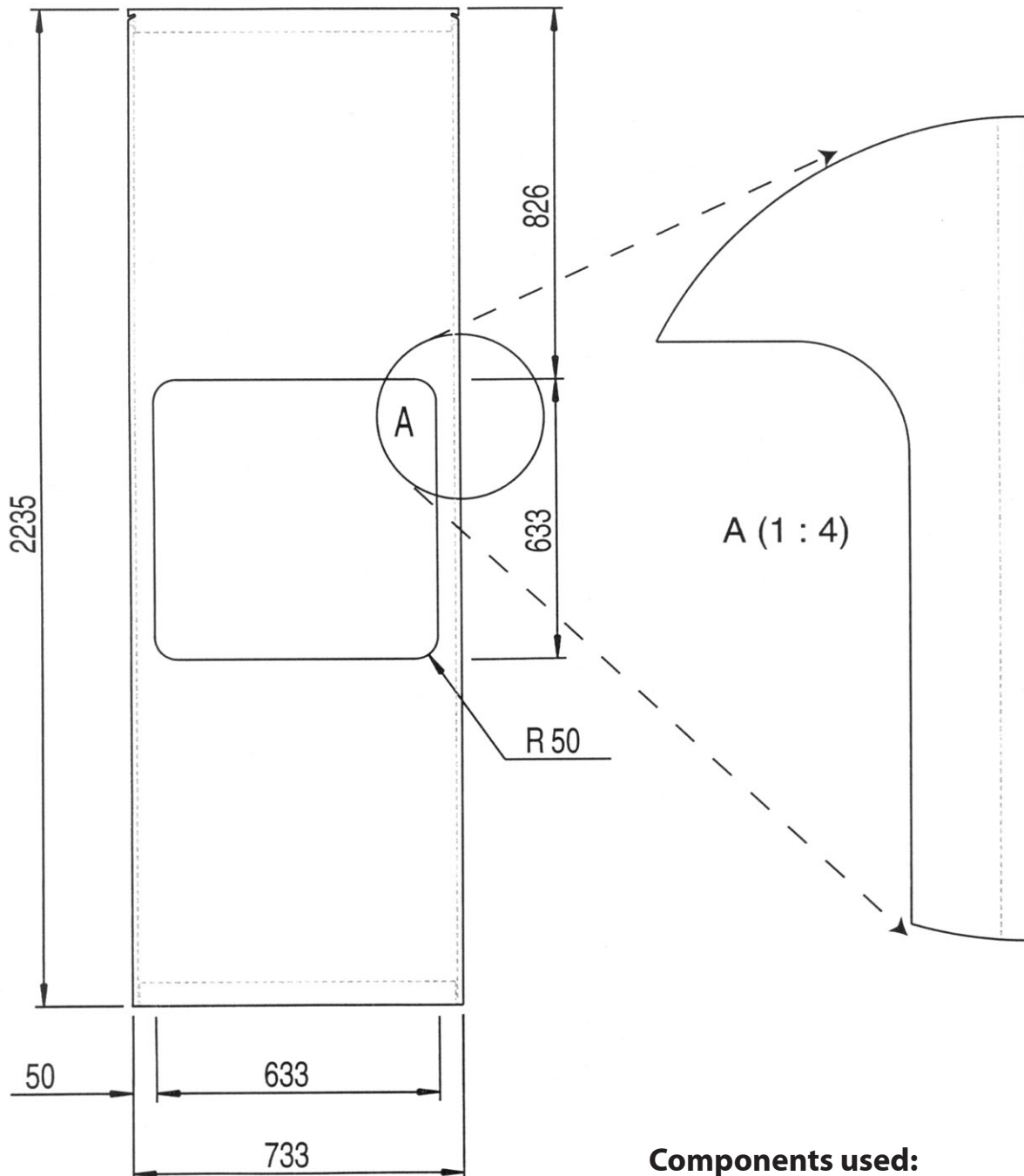


Expand 2000 showcase - Front panel, straight with frame

(measures in millimeters)



Components used:

- 1 top strip (art. 15140)
- 1 bottom strip (art. 15150)
- 4,5 m magnetic tape (art. 15210)