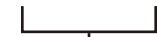


Expand GrandFabric Wall mount Set-up Instruction



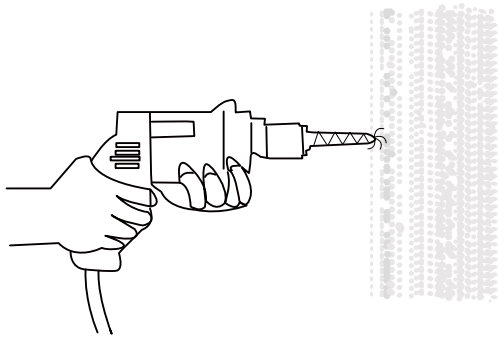
Expand GrandFabric



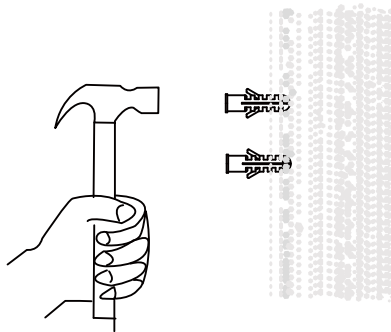
Wood wall



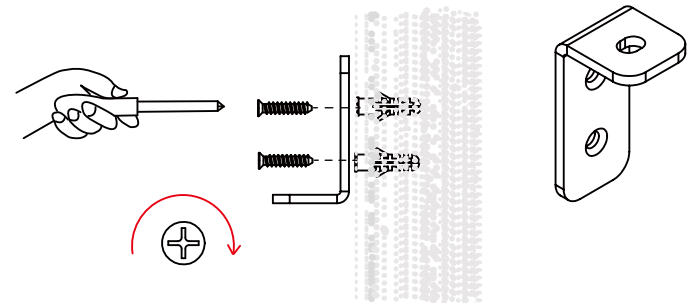
Concrete wall



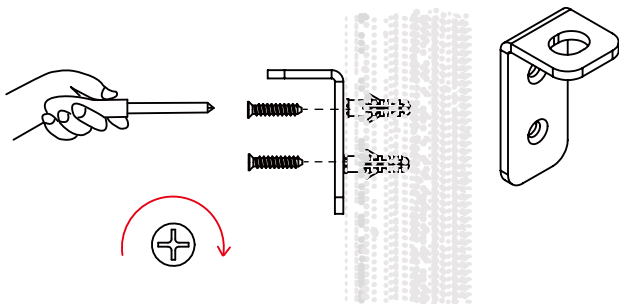
step 1:Drill hole on the wall



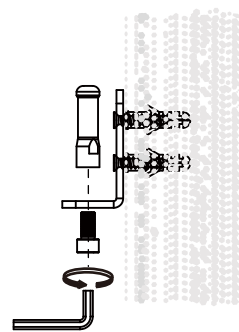
step 2:Insert expansion pipe



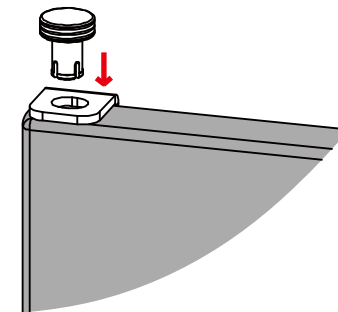
step 3: Fix bottom bracket



step 4: Fix top bracket



step 5: Fix pin on bracket



step 6: Insert plastic pin on bracket