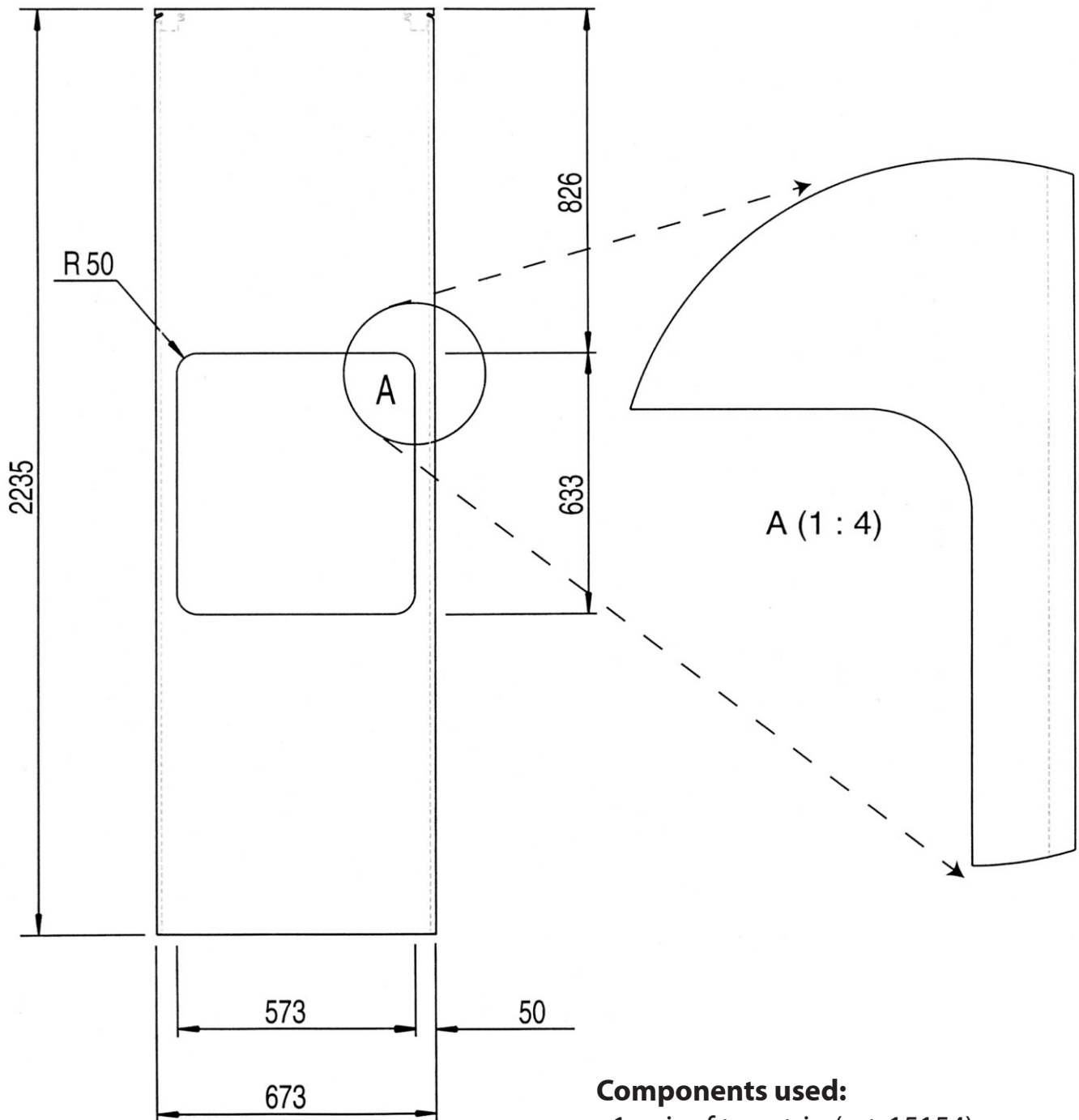


Expand 2000 showcase - End panel, curved with frame

(measures in millimeters)



Components used:

- 1 pair of top strip (art. 15154)
- 4,5 m magnetic tape (art. 15210)