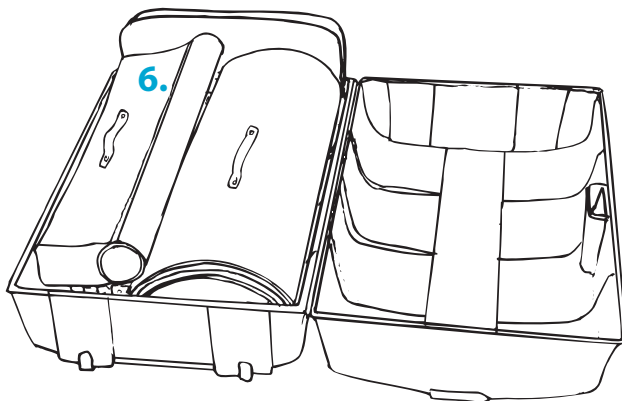
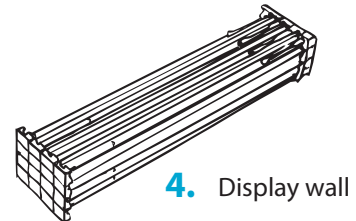
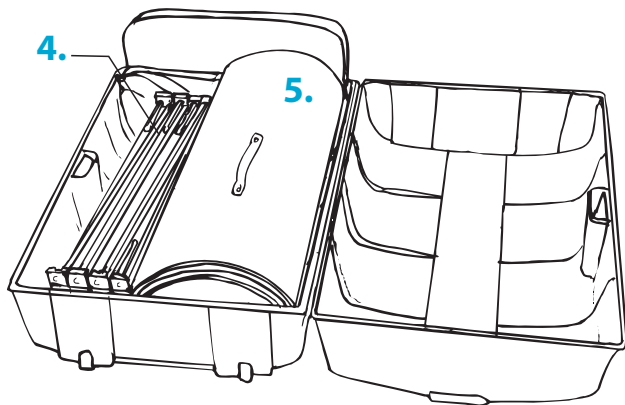
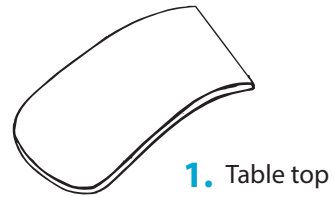
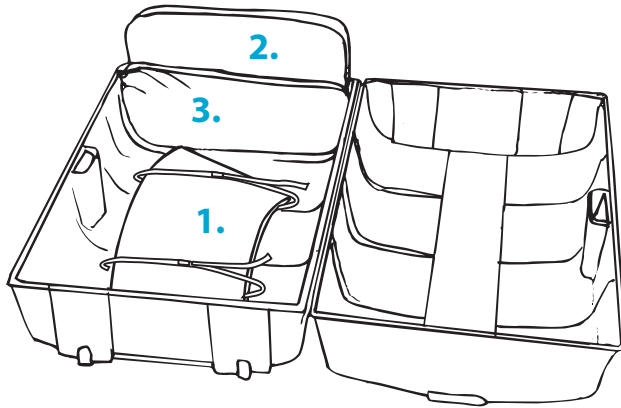


How to pack the Expand PodiumCase



*If you are packing an ExpandMediaWall XL, the spotlights come without a 'Bag - spotlight' (2). Instead, place the spotlights inside the 'Bag - Graphic panels' (5).