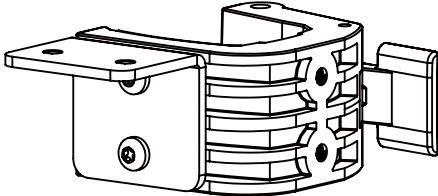
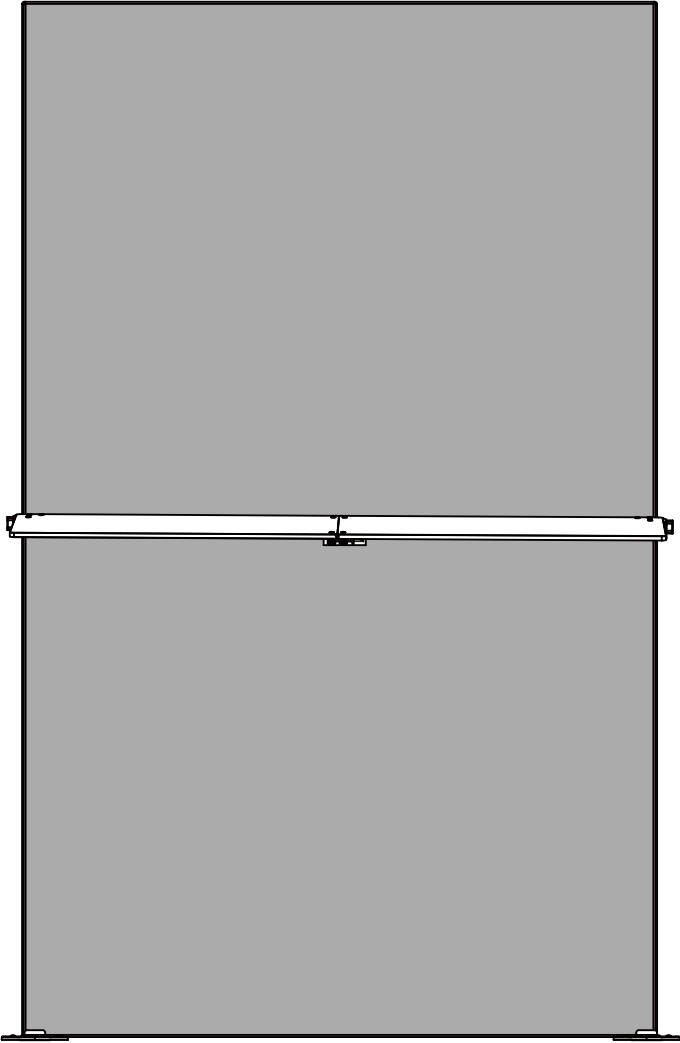
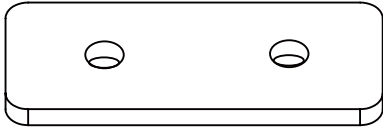


Expand GrandFabric Multi level shelving system Set-up Instruction



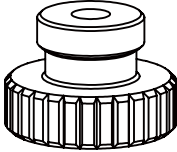
1X



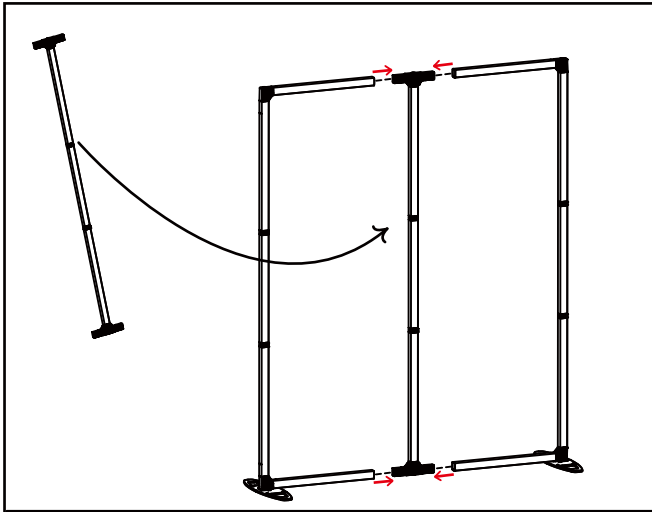
1X



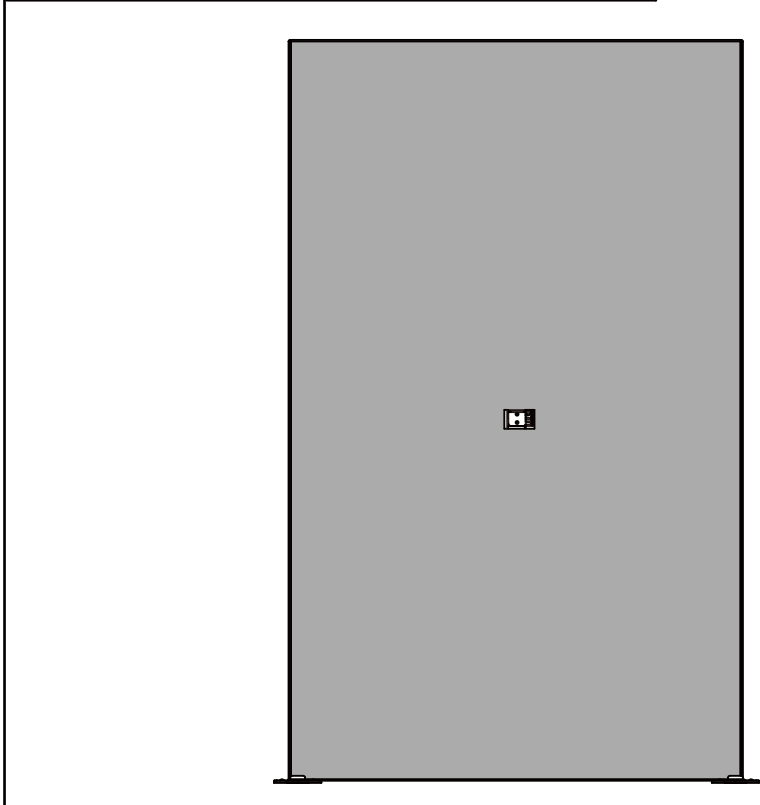
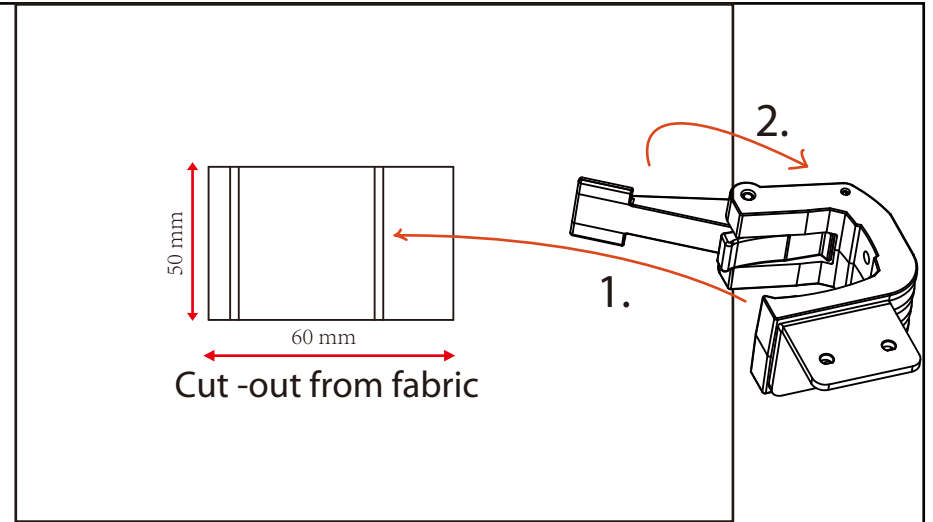
4X



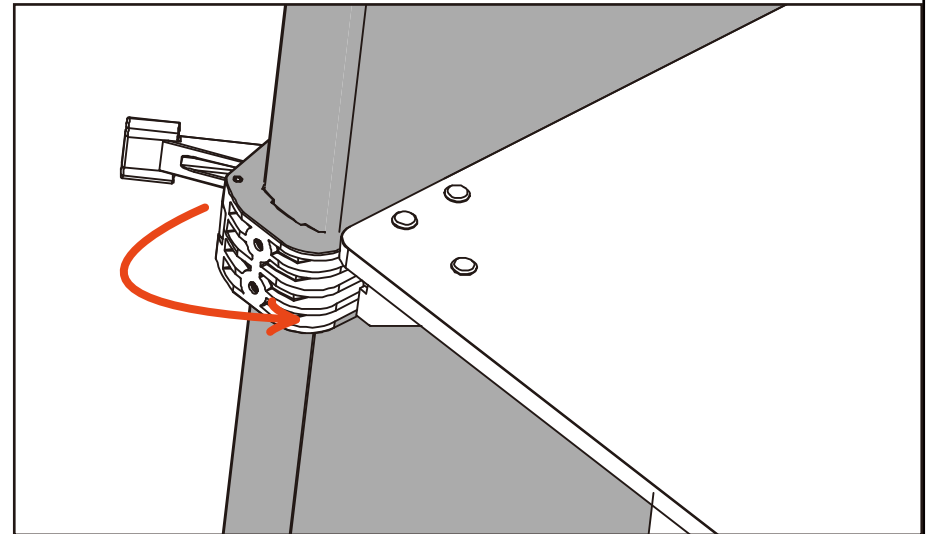
4X

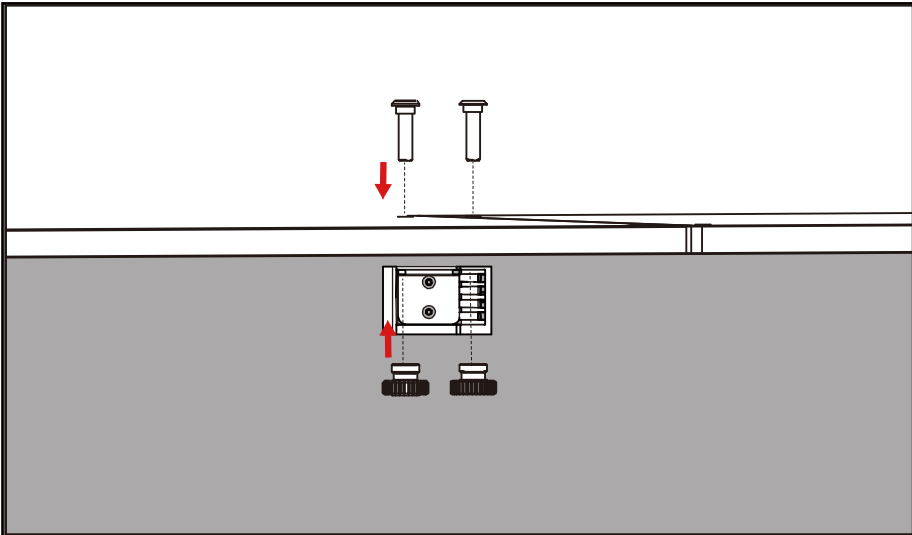


1

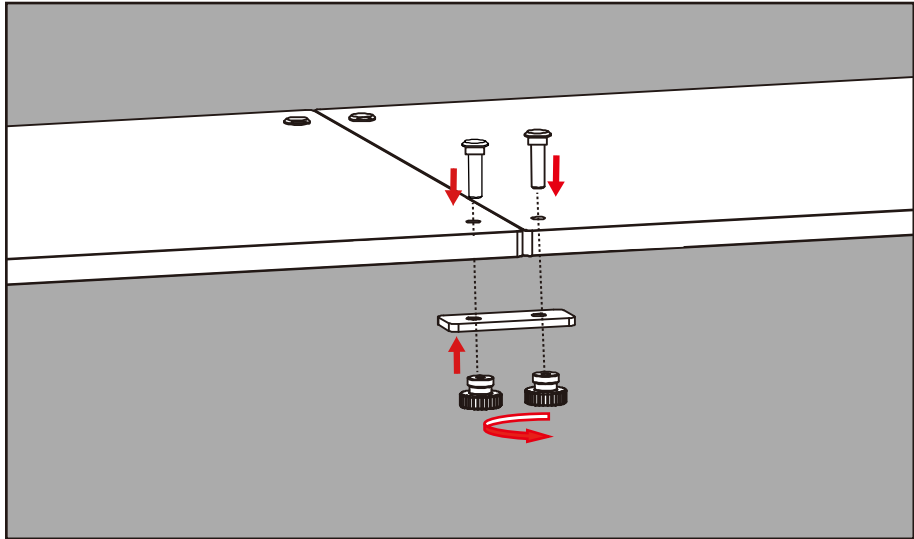


2





3



4

Load options

