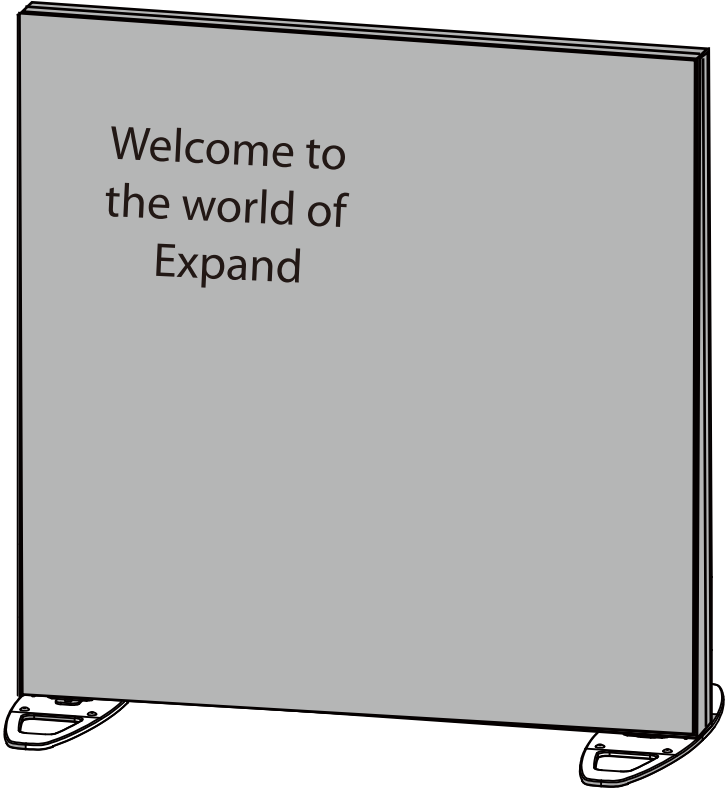
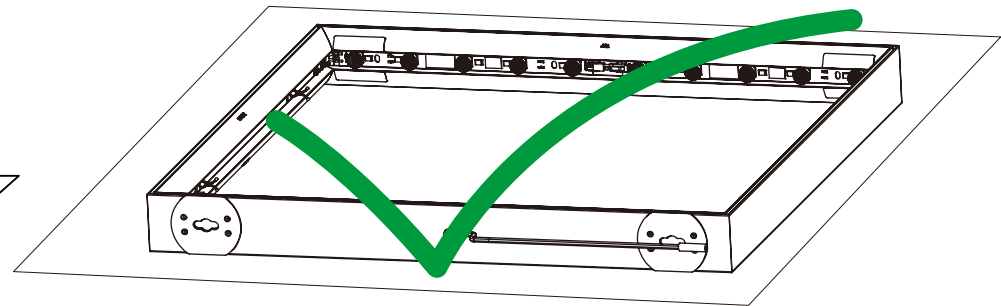
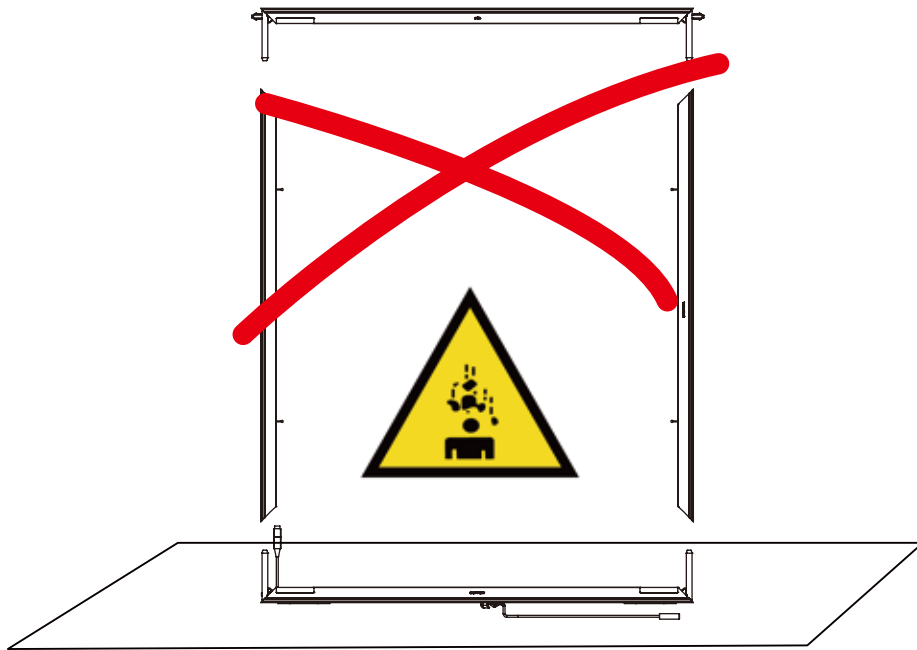


Expand LightBox Portable Set-up Instruction

115- 80 x 80



Mounting on the ground



Frames sorted

1.



437090-89

1x



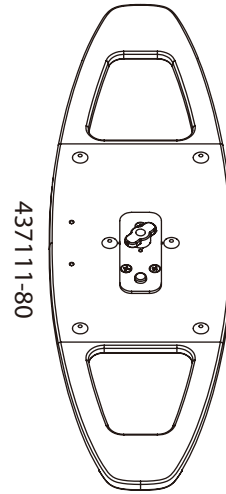
437090-90

1x



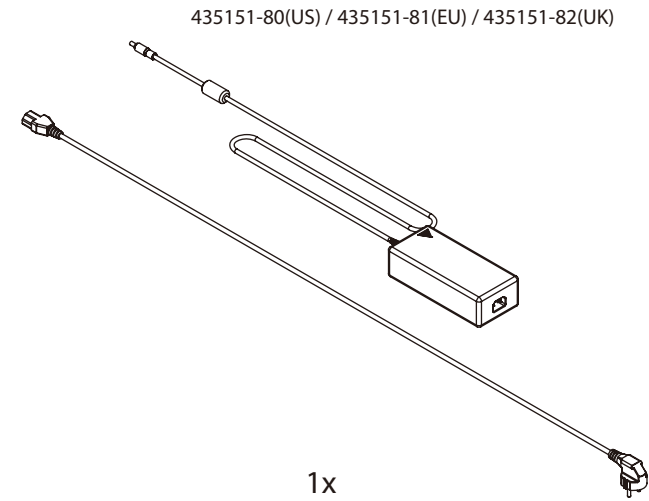
437090-91

2x



437111-80

2x

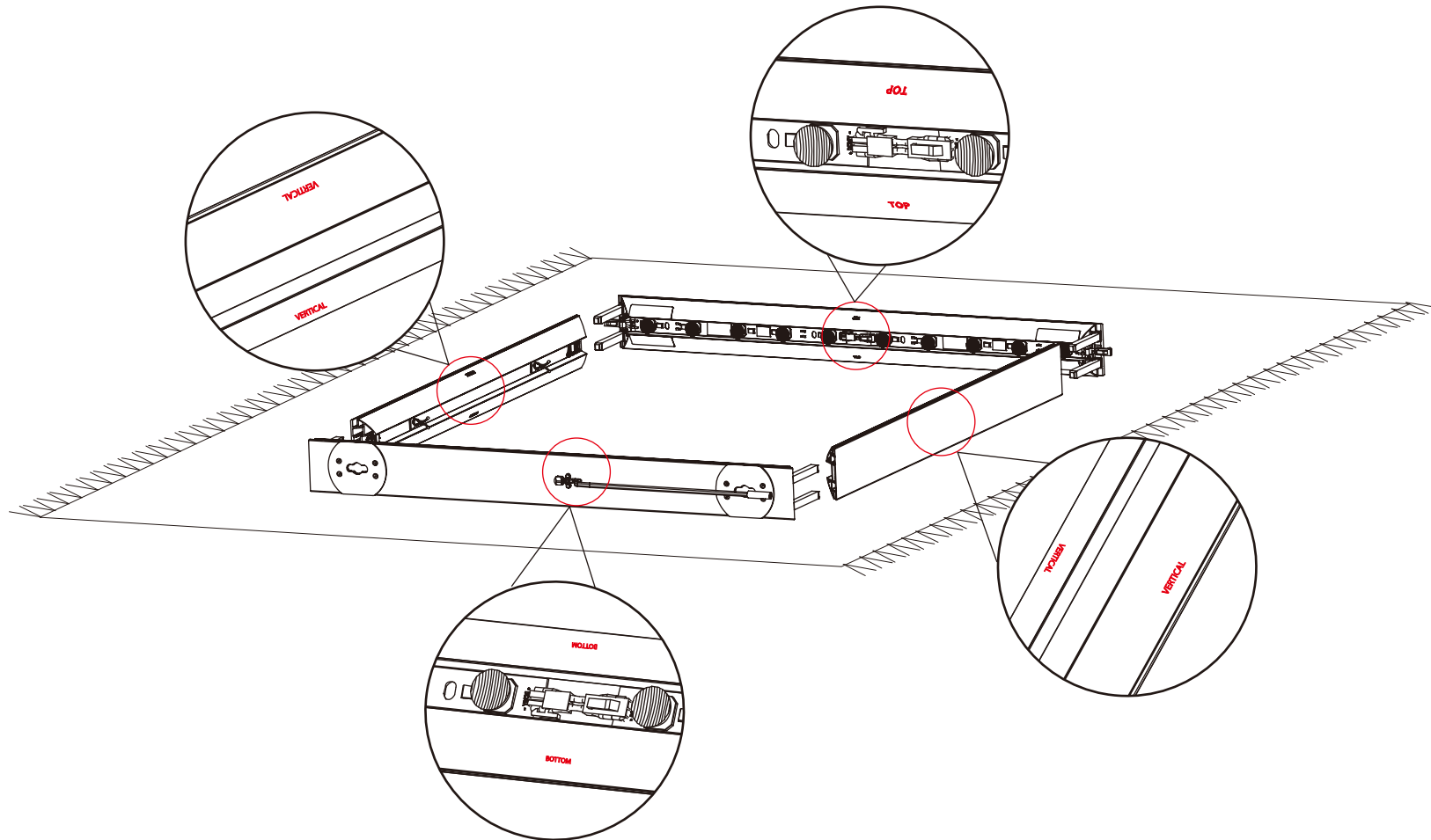


435151-80(US) / 435151-81(EU) / 435151-82(UK)

1x

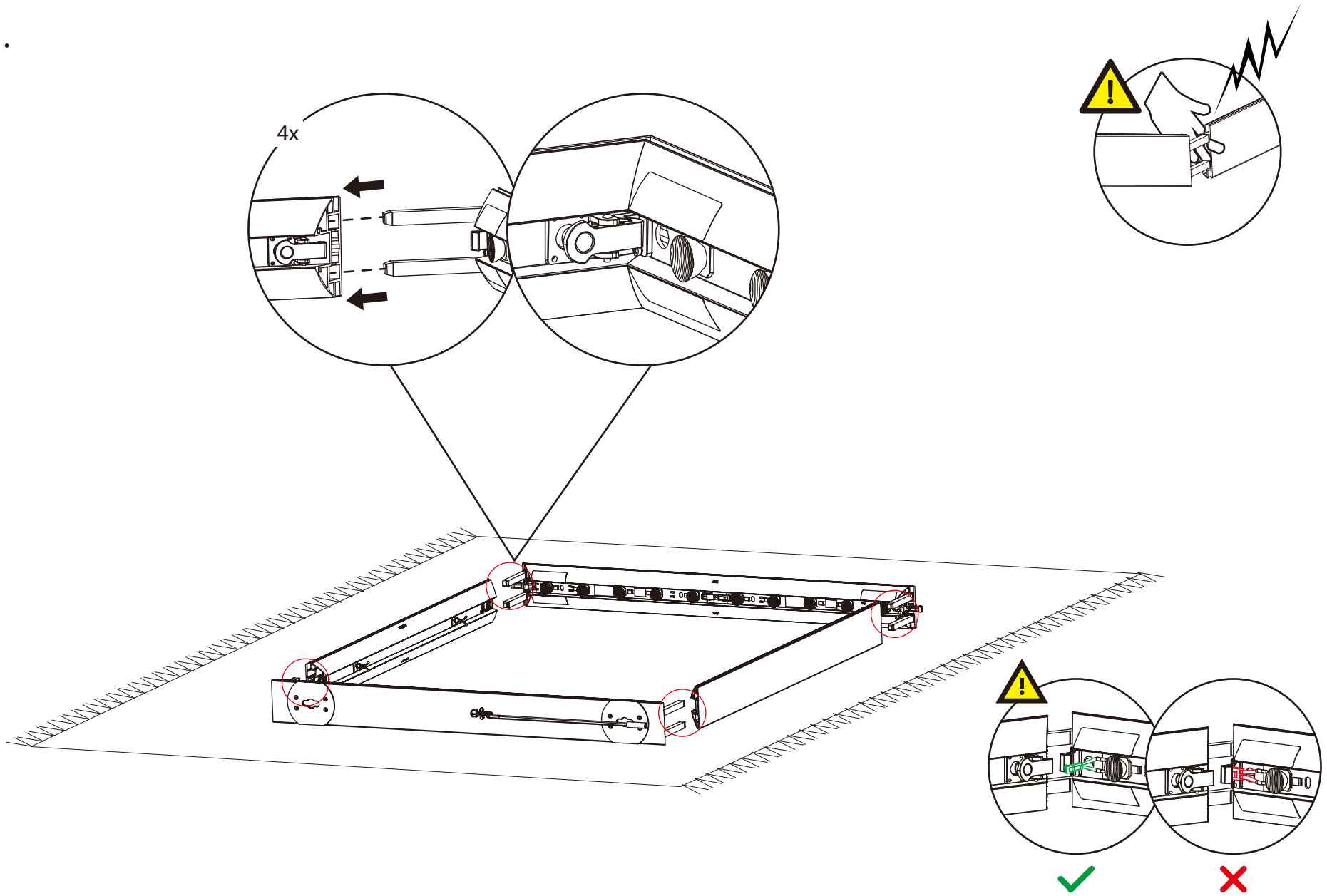
Frames locating on the place

2.



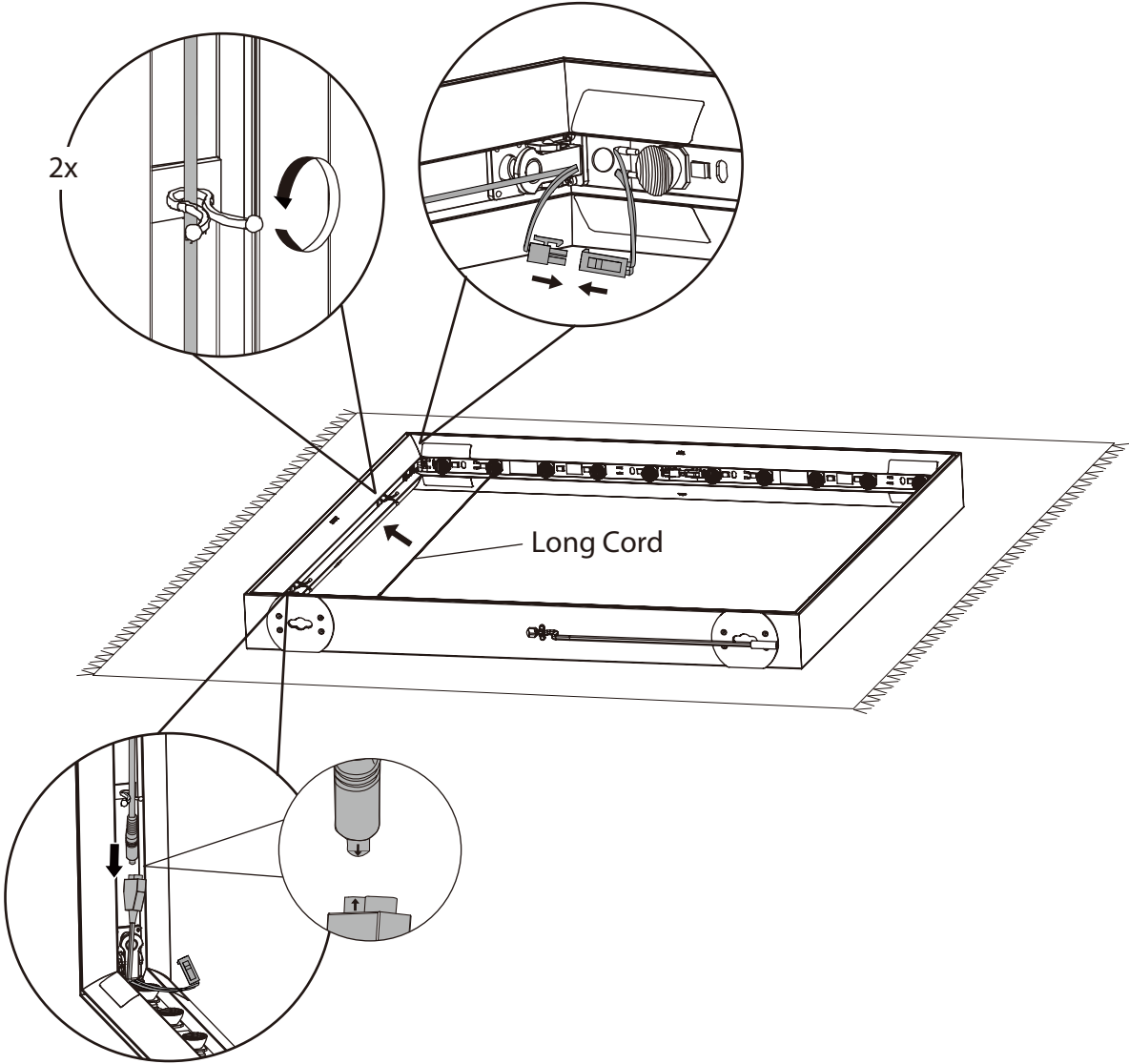
Frames mounting

3.

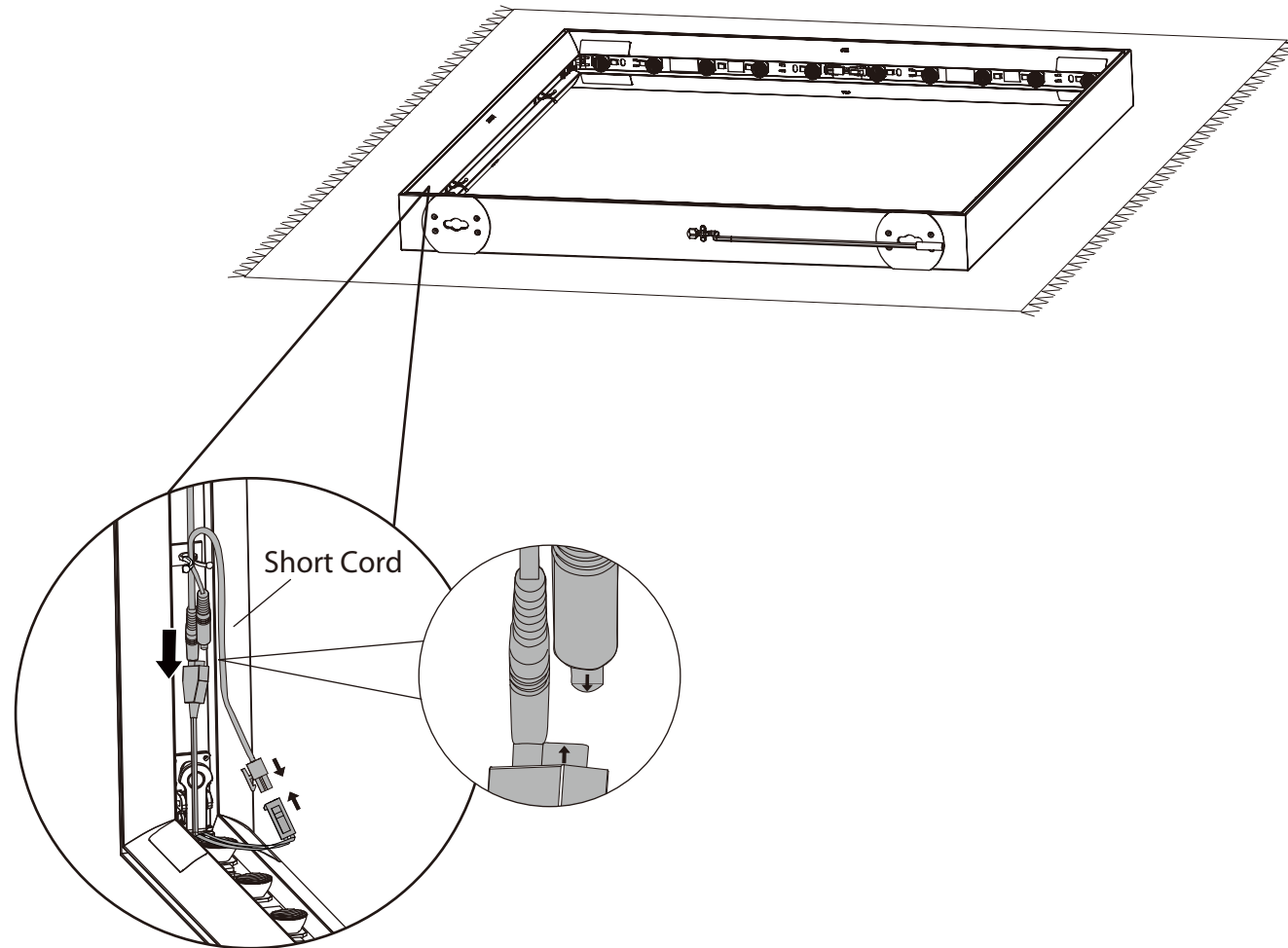


Routing (Long Cord)

4.

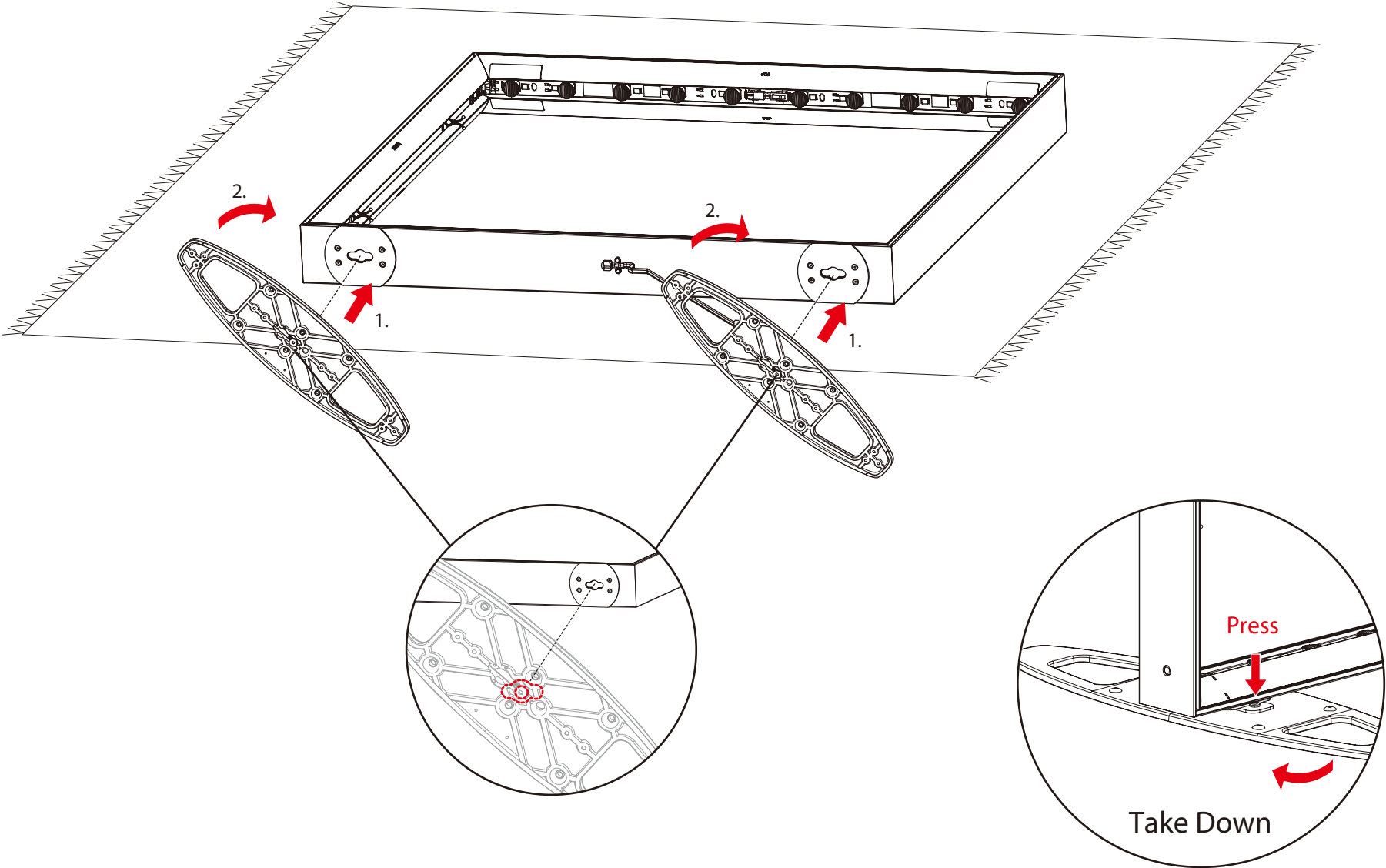


5.



Feet instructions

6.



Fabric instructions

7.

